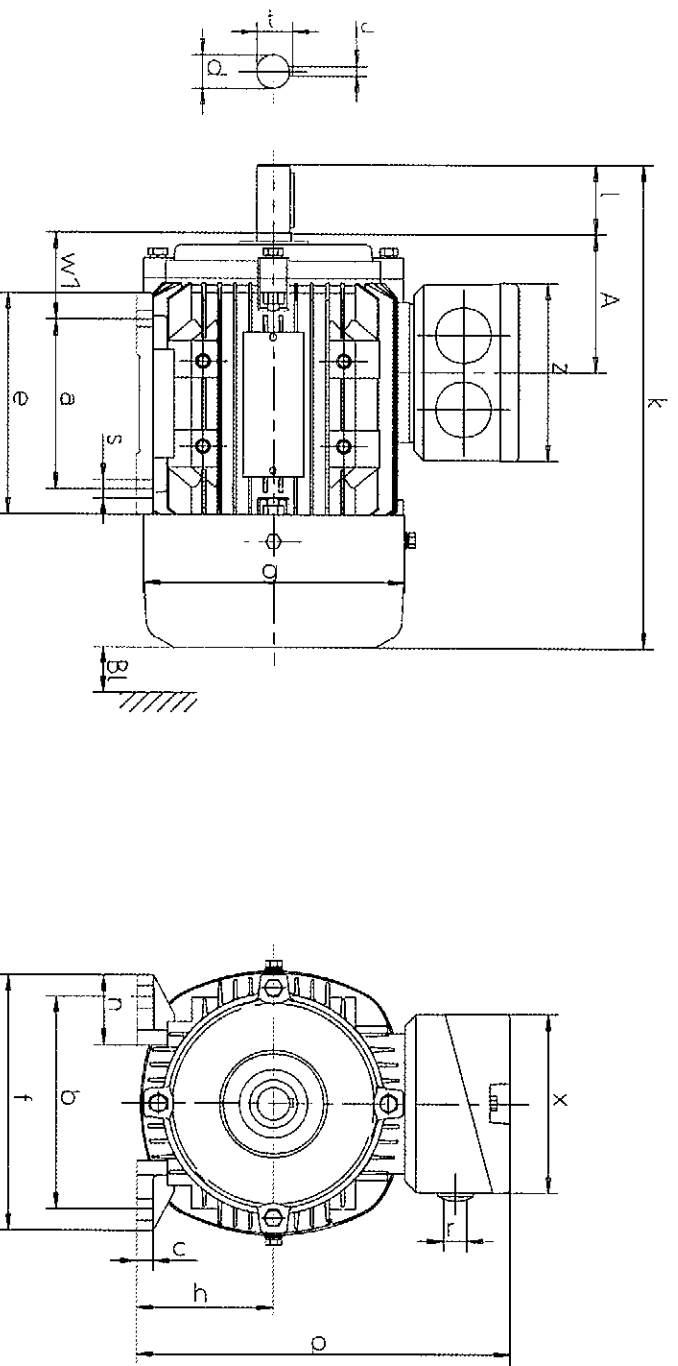


# Dimensions, type of construction IM B3 Abmessungen, Bauform IM B3

Type / Typ	2p	a	b	c	d	e	f	g	h	k	l	n	p	r	s	t	u	x	z	w1	A	BI
VTA2 56 K / G	2 / 4	71	90	7	9/6	90	110	108	56	192	20	25	154	2xM20x1.5	6	10.2	3	87	87	36	61	14
VTA2 63 K / G	2 / 4	80	100	8	11/6	105	120	108	63	210	23	32	161	2xM20x1.5	7	12.5	4	87	87	40	61	14
VTA2 71 K / G	2 / 4 / 6	90	112	10	14/6	106	136	138	71	245	30	32	186	2xM20x1.5	7	16	5	87	87	45	72	14
VTA2 80 K / G	2 / 4 / 6 / 8	100	125	10	19/6	130	150	157	80	295	40	41	222	2xM25x1.5	10	21.5	6	105	103	50	81.5	16
VTA2 90 S	2 / 4 / 6 / 8	100	140	13	24/6	165	167	174	90	340	50	47	240	2xM25x1.5	10	27	8	105	103	56	81.5	16
VTA2 90 L	2 / 4 / 6 / 8	125	140	13	24/6	165	165	174	90	340	50	47	240	2xM25x1.5	10	27	8	105	103	56	81.5	16
VTA2 100 L / LX	2 / 4 / 6 / 8	140	160	13	28/6	176	191	195	100	375	60	45	261	2xM25x1.5	12	31	8	105	103	63	92	18
VTA2 112 M	2 / 4 / 6 / 8	140	190	13	28/6	180	220	220	112	395	60	53	296	2xM32x1.5	12	31	8	125	119	70	94	20
VTA2 132 S / SX	2 / 4 / 6 / 8	140	216	15	38/6	222	252	256	132	505	80	60	340	2xM32x1.5	12	41	10	125	119	89	106	35
VTA2 132 M (X,Y)	2 / 4 / 6 / 8	178	216	15	38/6	222	252	256	132	505	80	60	340	2xM32x1.5	12	41	10	125	119	89	106	35

Dimensions in mm / Abmessungen in mm

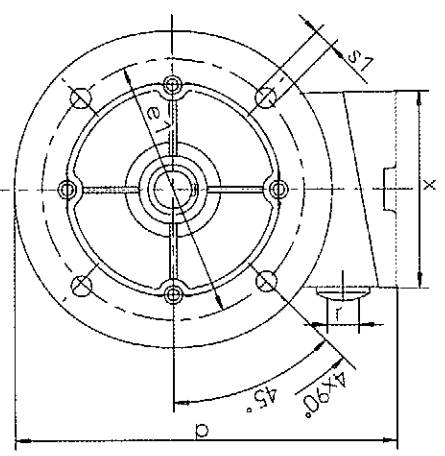
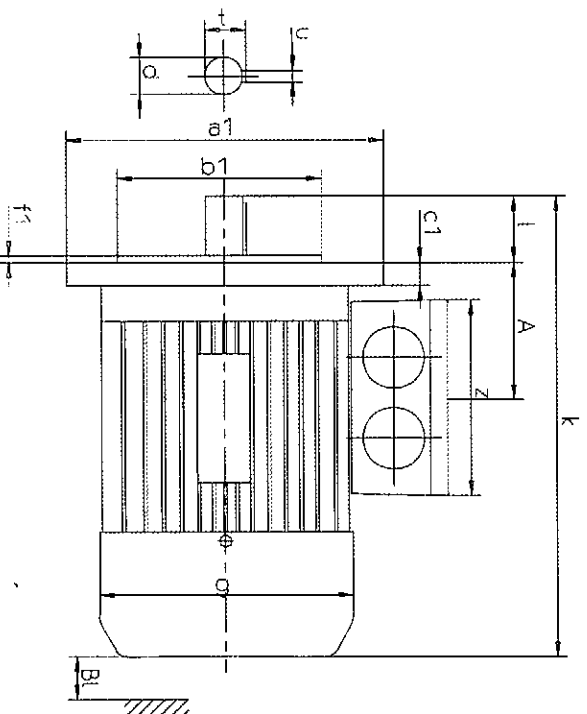


# Dimensions, type of construction IM B5

## Abmessungen, Bauform IM B5

Type / Typ	2p	P	N	LA	D	M	T	AC	L	E	HD	r	s1	t	u	x	y	w1	A	Bl
VTA2 56 K/G	2/4	120	80	9	9j6	100	3	108	192	20	158	2xM20x1.5	4Ø7	10.2	3	87	87	36	61	14
VTA2 63 K/G	2/4	140	95	9	11j6	115	3	108	210	23	168	2xM20x1.5	4Ø10	12.5	4	87	87	40	61	14
VTA2 71 K/G	2/4/6	160	110	10	14j6	130	3.5	138	245	30	197	2xM20x1.5	4Ø10	16	5	87	87	45	72	14
VTA2 80 K/G	2/4/6/8	200	130	12	19j6	165	3.5	157	295	40	242	2xM25x1.5	4Ø12	21.5	6	105	103	50	81.5	16
VTA2 90 S	2/4/6/8	200	130	12	24j6	165	3.5	174	340	50	250	2xM25x1.5	4Ø12	27	8	105	103	56	81.5	16
VTA2 90 L	2/4/6/8	200	130	12	24j6	165	3.5	174	340	50	250	2xM25x1.5	4Ø12	27	8	105	103	56	81.5	16
VTA2 100 L/LX	2/4/6/8	250	180	13	28j6	215	4	195	375	60	286	2xM25x1.5	4Ø15	31	8	105	103	63	92	18
VTA2 112 M	2/4/6/8	250	180	14	28j6	215	4	220	395	60	310	2xM32x1.5	4Ø15	31	8	125	119	70	94	20
VTA2 132 S/SX	2/4/6/8	300	230	14	38k6	265	4	265	505	80	358	2xM32x1.5	4Ø15	41	10	125	119	89	106	35
VTA2 132 M(X,Y)	2/4/6/8	300	230	14	38k6	265	4	265	505	80	358	2xM32x1.5	4Ø15	41	10	125	119	89	106	35

Dimensions in mm / Abmessungen in mm



# Dimensions, type of construction IM B14 K,G

## Abmessungen, Bauform IM B14 K,G

Type / Typ	2p	B34 K					B34 G					d	g	k	l	p	r	t	u	x	z	A	Bl		
		a1	b1	e1	f1	s1	a1	b1	e1	f1	s1													D	AC
VTA2 56 K/G	2/4	80	50	65	2.5	M5	105	70	85	2.5	M6	9/6	108	192	20	158	2xM20x1.5	10.2	3	87	87	61	14		
VTA2 63 K/G	2/4	90	60	75	2.5	M5	120	80	100	3	M6	11/6	108	210	23	168	2xM20x1.5	12.5	4	87	87	61	14		
VTA2 71 K/G	2/4/6	105	70	85	2.5	M6	140	95	115	3	M8	14/6	148	245	30	197	2xM20x1.5	16	5	87	87	72	14		
VTA2 80 K/G	2/4/6/8	120	80	100	3	M6	160	110	130	3.5	M8	19/6	157	295	40	242	2xM25x1.5	21.5	6	105	103	81.5	16		
VTA2 90 S	2/4/6/8	140	95	115	3	M8	160	110	130	3.5	M8	24/6	174	340	50	250	2xM25x1.5	27	8	105	103	81.5	16		
VTA2 90 L	2/4/6/8	140	95	115	3	M8	160	110	130	3.5	M8	24/6	174	340	50	250	2xM25x1.5	27	8	105	103	81.5	16		
VTA2 100 L/LX	2/4/6/8	160	110	130	3.5	M8	200	130	165	3.5	M10	28/6	195	375	60	286	2xM25x1.5	31	8	105	103	92	18		
VTA2 112 M	2/4/6/8	160	110	130	3.5	M8	200	130	165	3.5	M10	28/6	220	395	60	310	2xM32x1.5	31	8	125	119	94	20		
VTA2 132 S/SX	2/4/6/8	200	130	165	3.5	M10	250	180	215	4	M12	38/6	256	505	80	358	2xM32x1.5	41	10	125	119	106	35		
VTA2 132 M(X,Y)	2/4/6/8	200	130	165	3.5	M10	250	180	215	4	M12	38/6	256	505	80	358	2xM32x1.5	41	10	125	119	106	35		

Dimensions in mm / IM B14 large flange 100, 112 and 132 in cast iron  
 Abmessungen in mm / großer Flansch IM B14 bei 100, 112 und 132 im Grauguss

